

LISTINO 2019  
PRICE LIST 2019



**JOY POZZETTI GELATO**  
JOY ICE CREAM POZZETTI

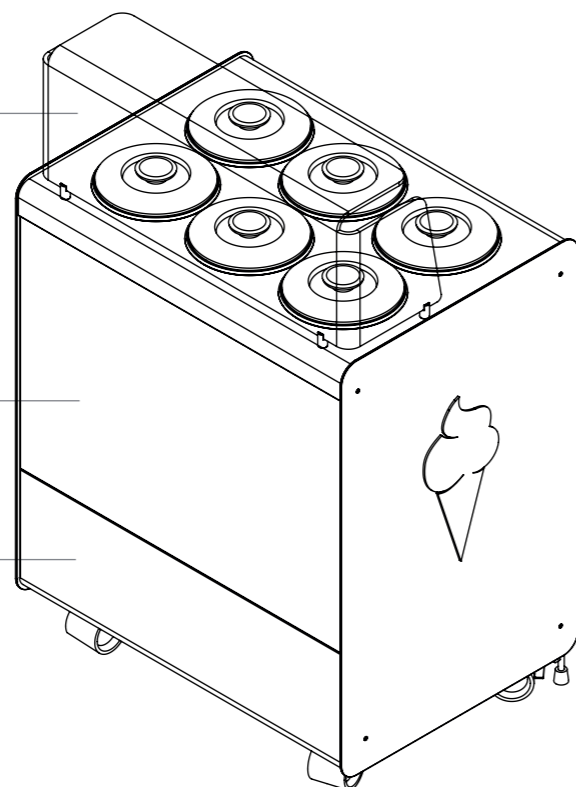
CARATTERISTICHE GENERALI  
GENERAL FEATURES

**Ventilato con riserva**  
Ventilated cooling with storage

**TECA IN PLEXIGLASS**  
PLEXIGLAS CANOPY

**ACCIAIO PLASTIFICATO BIANCO**  
PLASTIC COATED STEEL WHITE COLOR

**ACCIAIO INOX FINITURA SCOTCHBRITE**  
STAINLESS STEEL SCOTCHBRITE FINISH



**TOP IN ACCIAIO INOX FINITURA SCOTCHBRITE CON SISTEMA ANTICONDENSA**  
STAINLESS STEEL TOP SCOTCHBRITE FINISH WITH ANTI-CONDENSATION SYSTEM

**ACCIAIO PLASTIFICATO BIANCO**  
PLASTIC COATED STEEL WHITE COLOR

**CENTRALINA**  
CONTROL PANEL

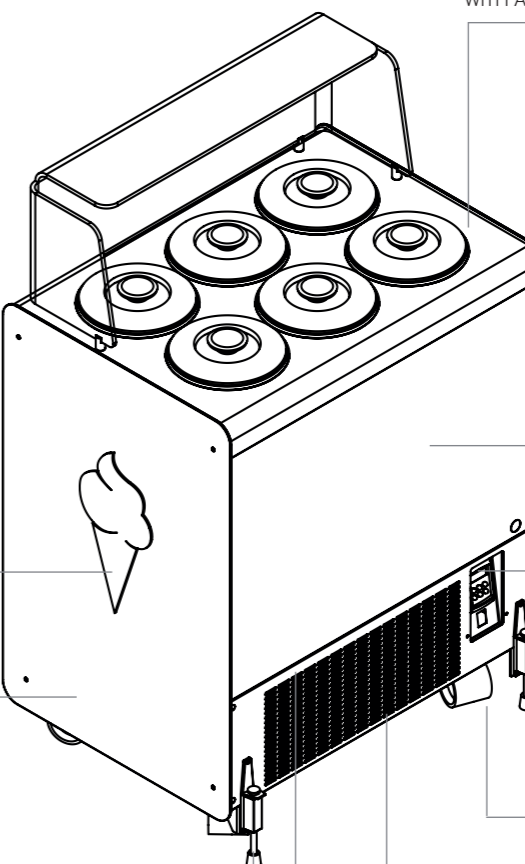
**FRENO (OPTIONAL)**  
BRAKE (OPTIONAL)

**RUOTE PIROETTANTI**  
SWIVEL CASTORS

**UNITÀ CONDENSATRICE**  
CONDENSING UNIT

**ELEMENTO DECORATIVO ACCIAIO INOX**  
STAINLESS STEEL DECORATION

**FIANCO METALLO VERNICIATO BIANCO**  
SIDE PANEL COATED METAL WHITE COLOR



**FRENO (OPTIONAL)**  
BRAKE (OPTIONAL)

**ACCIAIO INOX LUCIDO BA**  
POLISHED STAINLESS STEEL (BA)

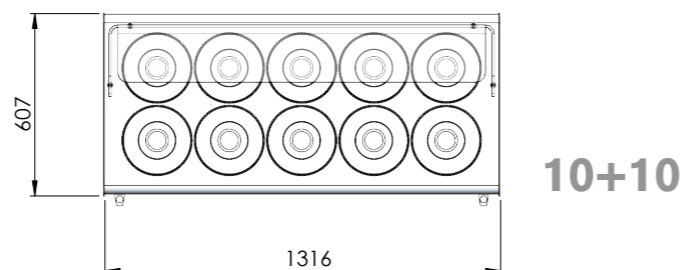
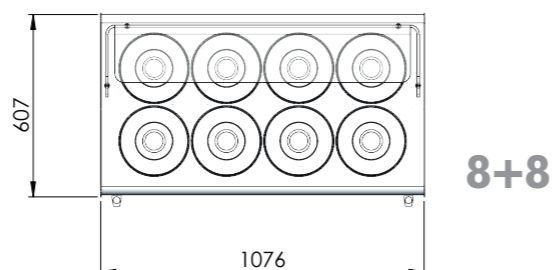
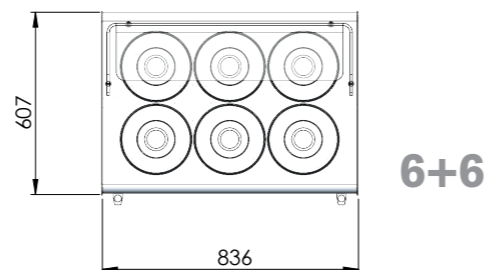
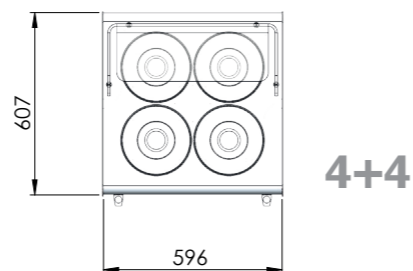
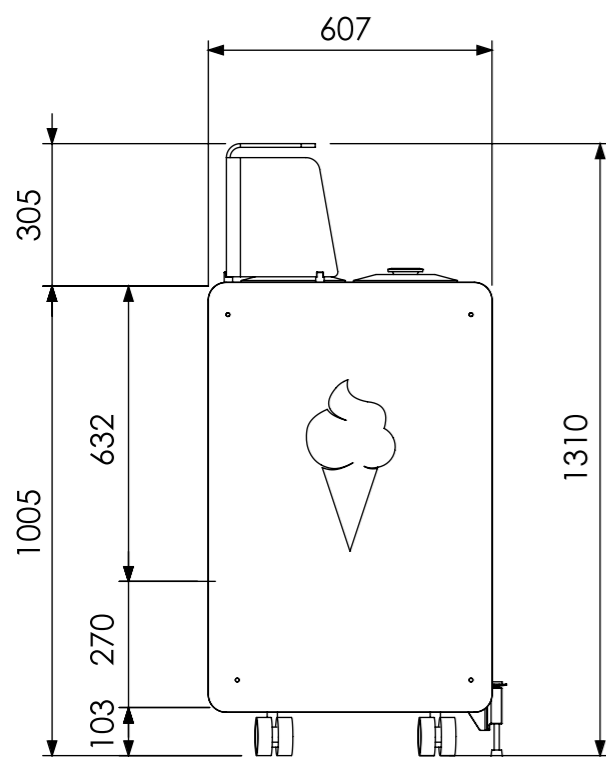
**DATI TECNICI JOY REFRIGERAZIONE VENTILATA, UNITÀ CONDENSATRICE INTERNA AD ARIA**  
TECHNICAL DATA JOY VENTILATED COOLING, SELF-CONTAINED (AIR-COOLED)

Modello Model	Alimentazione elettrica Power supply	Resa frigorifera (W) Cooling capacity (W) Te -30°C / Tc +45°C	Potenza assorbita (W)* Power consumption (W)*	Ampere (A)	Gas refrigerante Refrigerant gas	Temperatura di esercizio (C)** Operating temperature (°C) **	Peso Weight (KG)
4 gusti + 4 gusti 4 flavors + 4 flavors	230/1/50	315	400	2,8	R404a/R452a	-15	150
6 gusti + 6 gusti 6 flavors + 6 flavors	230/1/50	410	615	4,5	R404a/R452a	-15	165
8 gusti + 8 gusti 8 flavors + 8 flavors	230/1/50	410	620	4,6	R404a/R452a	-15	185
10 gusti + 10 gusti 10 flavors + 10 flavors	230/1/50	510	705	4,2	R404a/R452a	-15	210

\* Valori comprensivo di resistenza anticondensa sul top  
\* Including anti-condensation resistance for top

\*\* Valori riferiti alla classe climatica 4 (30°C; 55% U.R.)  
\*\* Data referred to climate class 4 (30°C; 55% U.R.)

**> Ventilato con riserva**  
Ventilated cooling with storage



**Ventilato** Ventilated

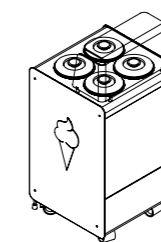
**04 - con riserva**  
with storage

**N.B.**  
**Carapine escluse**

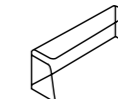
Sherbet trays excluded

**Coperchi inox standard inclusi**

Standard stainless steel lids included



**Teca plexiglass**  
Plexiglas canopy



UI	H1005	
	code	€
L596	3BP04JVRI	3.370,00

L560	H305	
	code	€
	3TPN30614	170,00

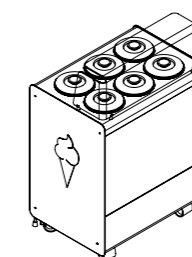
**06 - con riserva**  
with storage

**N.B.**  
**Carapine escluse**

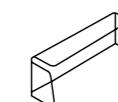
Sherbet trays excluded

**Coperchi inox standard inclusi**

Standard stainless steel lids included



**Teca plexiglass**  
Plexiglas canopy



UI	H1005	
	code	€
L836	3BP06JVRI	3.980,00

L800	H305	
	code	€
	3TPN30854	204,00

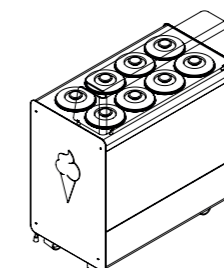
**08 - con riserva**  
with storage

**N.B.**  
**Carapine escluse**

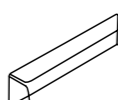
Sherbet trays excluded

**Coperchi inox standard inclusi**

Standard stainless steel lids included



**Teca plexiglass**  
Plexiglas canopy



UI	H1005	
	code	€
L1076	3BP08JVRI	4.775,00

L1040	H305	
	code	€
	3TPN31094	238,00

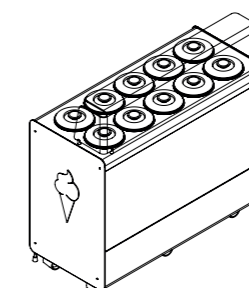
**10 - con riserva**  
with storage

**N.B.**  
**Carapine escluse**

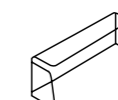
Sherbet trays excluded

**Coperchi inox standard inclusi**

Standard stainless steel lids included



**Teca plexiglass**  
Plexiglas canopy



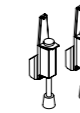
UI	H1005	
	code	€
L1316	3BP10JVRI	5.485,00

L1280	H305	
	code	€
	3TPN31334	272,00



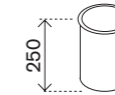
**OPTIONALS**  
**JOY POZZETTI GELATO**  
 JOY ICE CREAM POZZETTI

**Coppia di freni**  
 Pair of brakes



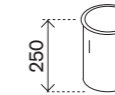
code	€
3GY050021	<b>88,00</b>

**Carapina H250 standard**  
 Standard sherbet tray H250



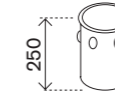
	code	€
<b>Ø200 H250 Lt7</b>	3BP050006	<b>42,00</b>

**Carapina H250 con sistema antirotazione**  
 Sherbet tray H250 with anti-rotation system



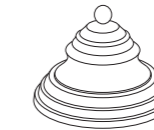
	code	€
<b>Ø200 H250 Lt7</b>	3BP050012	<b>51,00</b>

**Carapina H250 con sistema antirotazione predisposta per cestello in plastica**  
 Sherbet tray H250 with anti-rotation system, designed for plastic basket



	code	€
<b>Ø200 H250 Lt7</b>	3BP050014	<b>59,00</b>

**Coperchio Campana**  
 Bell-shaped cover



	code	€
<b>Cromato Ø210</b> Chrome-plated	3BP050008	<b>89,00</b>
<b>Dorato</b> Gold-plated	3BP050009	<b>149,00</b>

**Maggiorazione per sostituzione a coperchio standard**  
 Additional charge to be applied to standard cover

**Grafiche decorative adesive**  
 Printed self-adhesive decorative graphics

	€
JOY 4	<b>178,00</b>
JOY 6	<b>208,00</b>
JOY 8	<b>238,00</b>
JOY 10	<b>268,00</b>



**BRX srl** Via Luciano Lama, 38/1 - 61025 Montelabbate (PU) - Italy  
Tel. +39 0721 499611 - Fax +39 0721 909376 - [info@brxitalia.com](mailto:info@brxitalia.com)  
[www.brxitalia.com](http://www.brxitalia.com)